

FOG100 LED Fiberoptic Illuminator



SPECIFICATIONS

ELECTRICAL

Input Voltage: 24 V DC
 Input Current: 5 A MAX
 Power Rating: 120 W

OPERATING ENVIRONMENT

Ingress Protection: IP20
 Exposure: Dry location
 Operating Temperature: 0° to 40°C
 Storage Temperature: -40° to 70°C
 Airflow: 30 cfm
 Acoustic Noise: 19 dBA

MECHANICAL

Material/Finish: Clear anodized aluminum
 Weight: 2.45 lbs.
 Dimensions: 7.9" x 4.7" x 3.4"
 DC input cord length: 6ft

MOUNTING

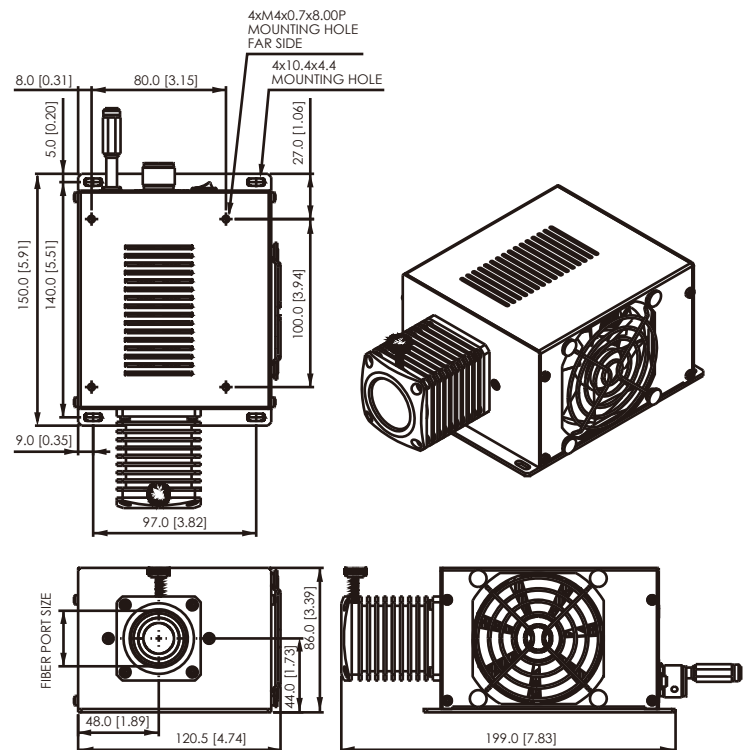
Suitable for surface and undercabinet mounting
 OK to mount in any orientation
 Best orientation is with exhaust vent facing up
 Keep vents free from obstruction



OPTICAL PERFORMANCE

Device Color	Port Lumens*	Minimum CRI
2800K White	2750lm	90
3000K White	2750lm	90
4200K White	3125lm	90
4400K White	3125lm	90
5000K White	3250lm	85
6500K White	3250lm	75

*Typical value at 25°C ambient



Unit: mm [inch]

ORDERING GUIDE

FOG100 — — — — — PSU

Device Color

2800 2800K White
3000 3000K White
4200 4200K White
4400 4400K White
5000 5000K White
6500 6500K White

Dimming

M Manual knob

Fiber Port Size

30 30mm
33 33mm

Homogenizer

N No Homogenizer
H With homogenizer

FIBER CAPACITY: Using 0.75mm Diameter Fiber: 700 fibers max in 30mm Fiber Port, 1000 fibers max in 33mm Fiber Port. Large Core outer diameter: 30mm for 30mm Fiber Port, 33mm for 33mm Fiber Port. Accessories offered for common end diameters less than 30mm and 33mm: ACS30-xx and ACS33-xx. **HOMOGENIZER:** Homogenizer is suggested when using stranded fiber to ensure each strand is illuminated equally in intensity and color. **PSU INFORMATION:** Reference Ciellux.com for PSU information.

Example: FOG100-2800-M-30-N-PSU

Fiber Optic Group, LLC

15954 Jackson Creek Pkwy, Ste. B
 Monument, CO 80132
 t 719.661.0982
 f 605.636.7218
 sales@fiberoptictgroup.com

www.FiberOpticGroup.com