

# Endcap Fiber Adapter



## SPECIFICATIONS

### FEATURES

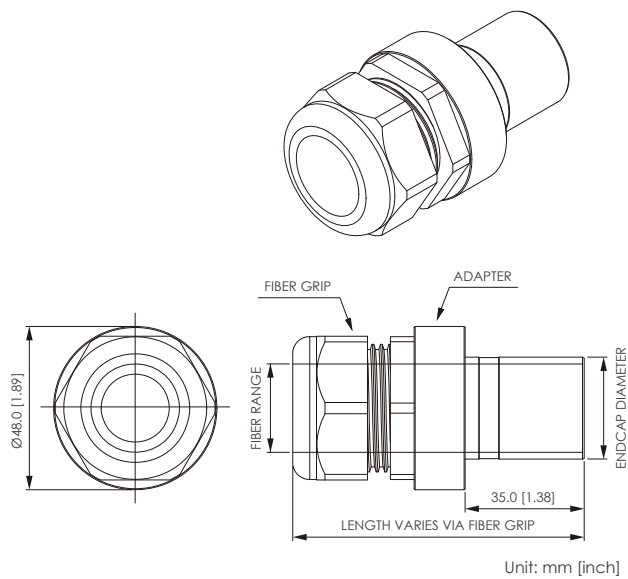
The Endcap Fiber Adaptors fit into the 30mm or 33mm endcap of DiCon FiberLamp models FL210, FL211, FL5200, and FL5600. Five sizes of compression fittings are available to fit a range of fiber diameters from 6mm to 32mm.

### MECHANICAL

Material/Finish: Black anodized aluminum and plastic



## MECHANICAL DRAWING

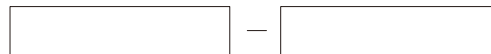


## ORDERING GUIDE

### ACS

Device Type

ACS Fiberlamp Accessory



Endcap Diameter

Fiber Range

**30** 30mm

**06** 6mm - 12mm

**33** 33mm

**10** 10mm - 14mm

**13** 13mm - 20mm

**18** 18mm - 25mm

**22** 22mm - 32mm

Example: ACS-30-13