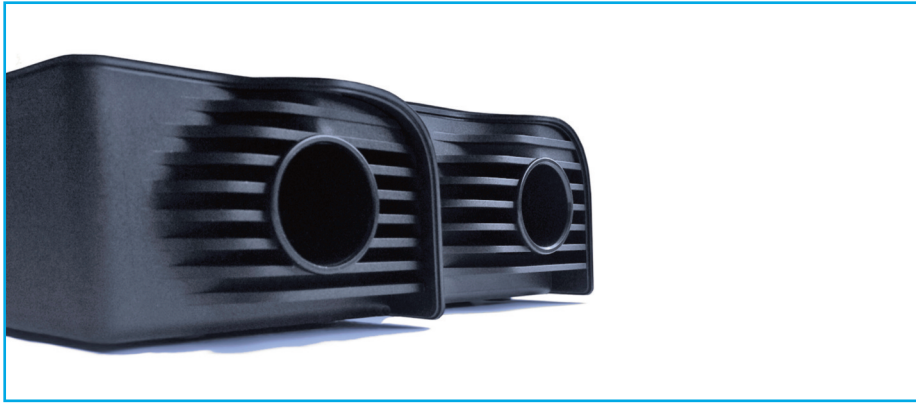


FOG 100T MicroLED Illuminator

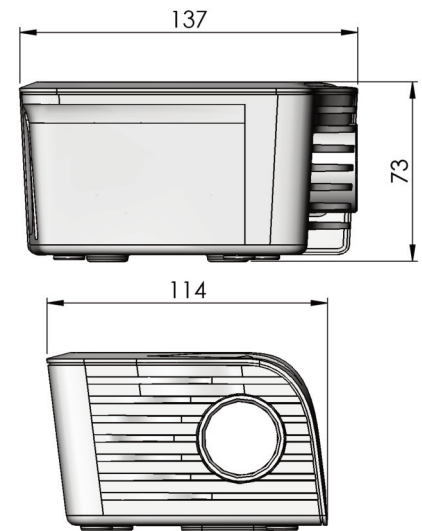


A small, silent fiber optic light source powered by LED technology.

Manufactured from durable ABS, this range is available in a choice of 3 colours - black, white or silver.

The FOG 100T MicroLED utilizes a white light LED array and is suitable for use with either glass or PMMA fiber.

A built in twinkle wheel allows for the creation of sparkling light effects.



Description	Details
Port connector size	30mm
Fiber type	Glass/PMMA
Supply voltage	100 - 240V AC, 50/60 Hz
PSU Output	12DC, 1.5A, 18W Maximum
Power Consumption	9W
LED Power	3W
Min Ambient Temperature	-10°C
Max Ambient Temperature	+45°C
Power Connection	2.1 x 5.5 x 12mm
LED Type / Effects	White Light with Twinkle Wheel
LED Life	50,000 hours in ambient 25°C
Operating environment	Indoor / dry
Material	ABS
Size	(L)137mm x(W) 114mm x (H)73mm
Weight with PSU	480.3 g

Like all our range, this light source is undergoing constant improvements and upgrades, so we reserve the right to alter specifications as required.